



## 54315/54320 Premium Polishing Compound Instructions

Delta Kits 54315/54320 Premium Polishing Compound is a water based product formulated to remove sanding scratches and swirl marks left by 1500-3000 grit sanding discs. Used properly it may be used on most paints, clear coats, gel coat, fiberglass, plastics and polycarbonates, including headlight lenses.

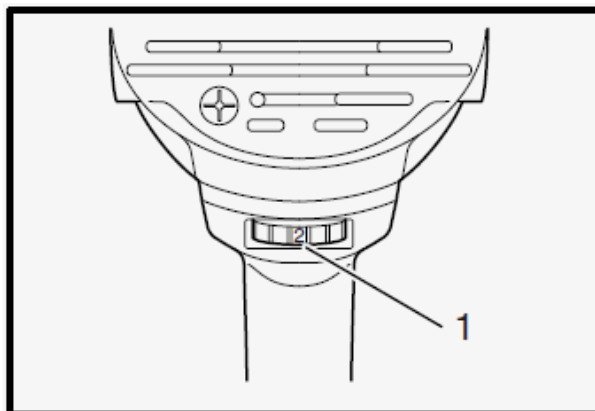
1. For best results use a Makita PV7001C Electronic Variable Speed Polisher or the equivalent with a 3" rotary hook & loop backing plate and a Delta Kits orange foam polishing pad (Part# 56110).
2. Apply quarter sized (1" or 25mm) drops of polish on the area to be polished, spaced 6" to 12" apart. For the average headlight two (2) drops is sufficient.
3. Set the polisher to low speed (setting 1 or 2 on the speed adjusting dial or 600-800 rpm).
4. Center the pad on the 1<sup>st</sup> drop of polish and apply firm pressure as you begin polishing.
5. Move the polisher horizontally (side to side) across the area to be polished until the polish is spread evenly.
6. Increase the polisher to a medium speed (setting 3 or 4 on the speed adjusting dial or 1300-1800 rpm).
7. Continue moving the polisher across the surface, alternating between horizontal and vertical strokes while applying firm pressure.
8. As the polish begins to dry out you should notice a significant improvement in the gloss of a painted surface. When polishing headlights you should notice a significant improvement in the clarity of the lens.
9. Add more polish as necessary and continue polishing until the desired results are achieved. **DO NOT ALLOW THE POLISH TO DRY COMPLETELY WHILE POLISHING UNDER PRESSURE.**

10. When scratches and swirl marks have been removed to your satisfaction, reduce the pressure against the surface and continue polishing until a “wet” look is achieved.
11. Wipe the surface clean with a soft damp cloth or paper towel, then dry thoroughly.
12. Apply a high quality wax to protect painted surfaces. Apply Delta Kits Headlight Restoration Coating to protect headlight lenses.

### Helpful Tips:

1. Check the temperature of the surface being polished from time to time. It should be warm but not too hot to touch. If the surface is getting too hot, do one or more of the following:
  - a. Reduce the speed on the polisher
  - b. Reduce the pressure against the surface
  - c. Add more polish
2. Check your progress from time to time by wiping the surface with a soft damp cloth or paper towel. Repeat steps 1-10 as necessary.
3. Starting with a low speed and firm pressure, then increasing the speed and reducing the pressure as the appearance improves will provide the best results.
  - a. On some surfaces increasing the polisher speed to setting 5 on the speed adjusting dial (2000 rpm) and using very light pressure against the surface may be desirable for the final polishing step, however 1300-1800 rpm is recommended under most conditions.

### Speed Adjusting Dial



Number	RPM (/min)
1	600
2	800
3	1,300
4	1,800
5	2,000